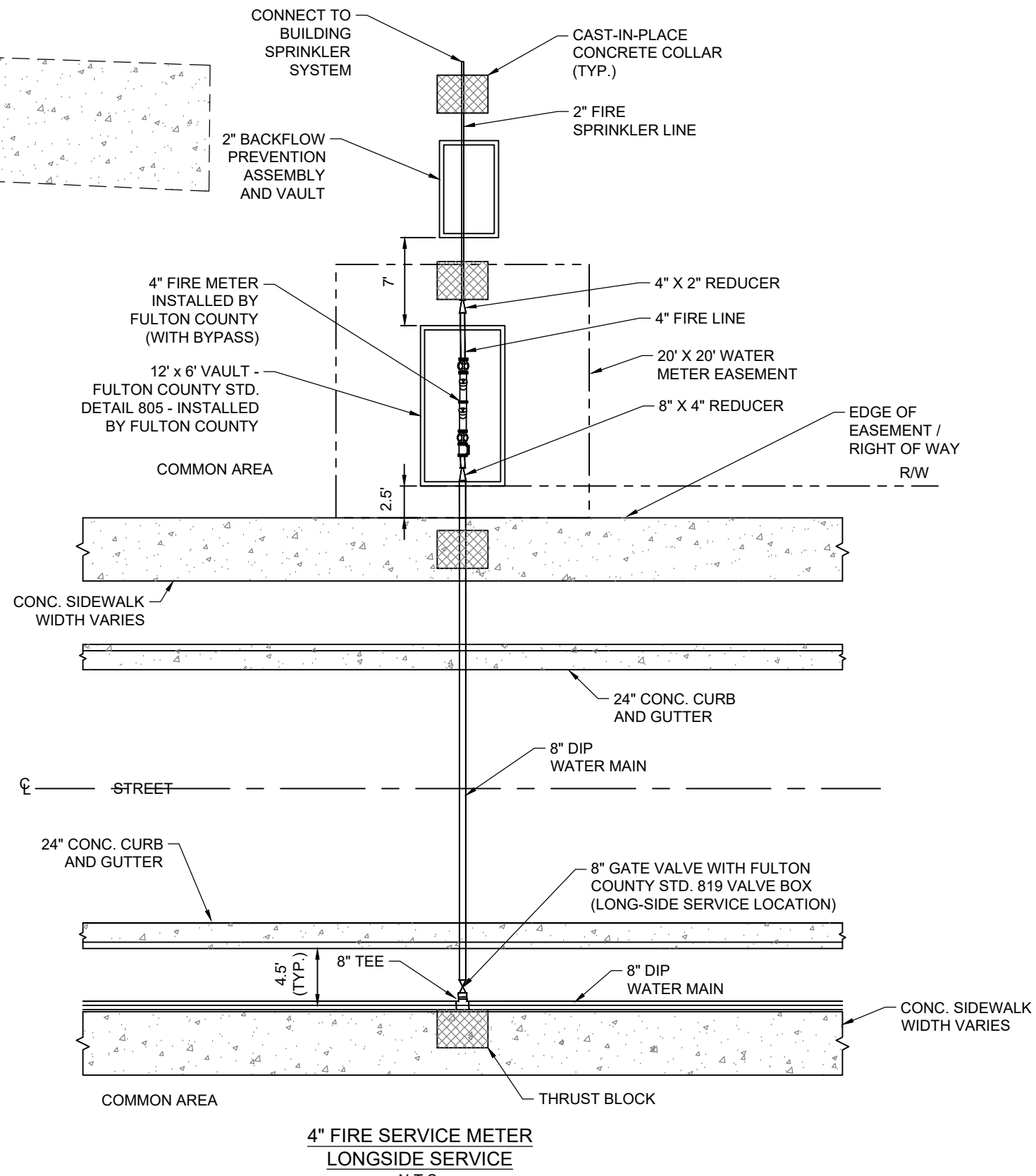


**4" FIRE SERVICE METER
SHORTSIDE SERVICE
N.T.S.**



**4" FIRE SERVICE METER
LONGSIDE SERVICE
N.T.S.**

FULTON COUNTY STANDARD DETAIL 831

4-INCH FIRE METER LAYOUT

DATE	REVISIONS	DATE	REVISIONS
M/Y	XXX	M/Y	XXX

DGS/DRN/CHKD: XXX
 APPROVED: XXX
 DATE: XX-X-XX



FULTON COUNTY PUBLIC WORKS
 141 PRYOR ST. ATLANTA, GA. 30303
 404-612-7400 FAX: 404-224-0498

DRAWING NO.

831

95% SUBMITTAL