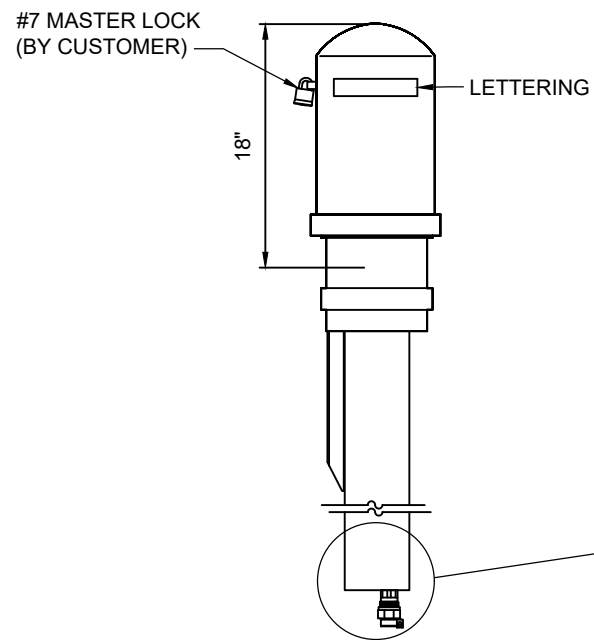
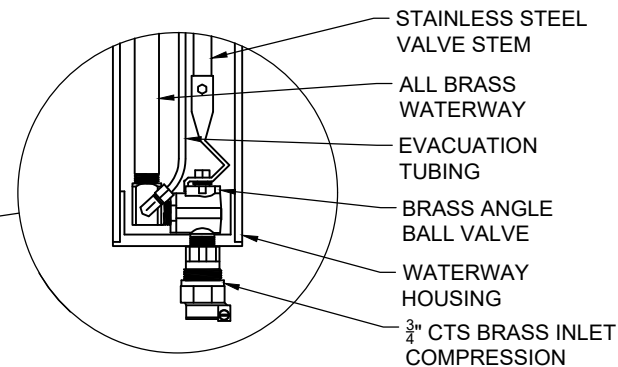


LEFT SIDE VIEW
N.T.S.



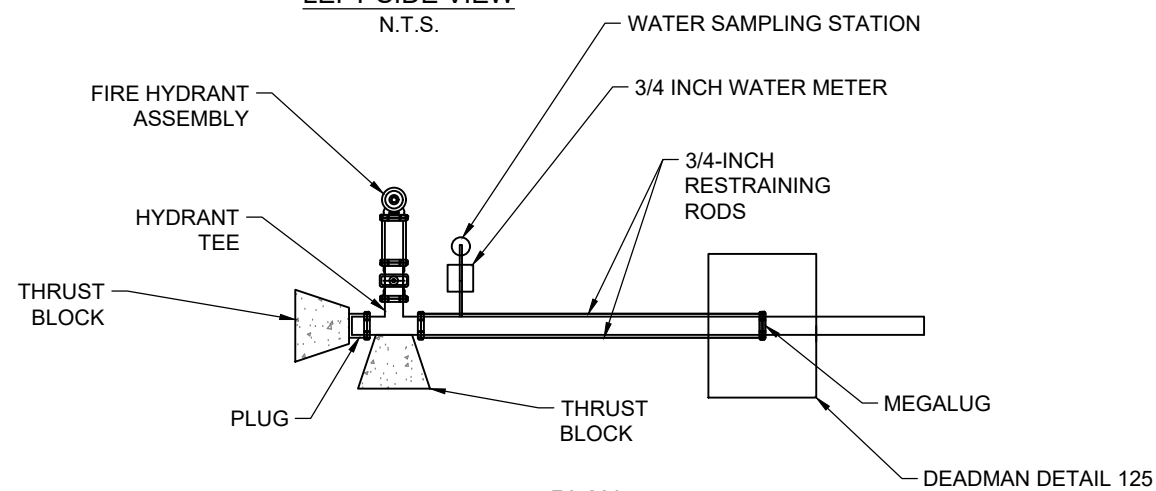
LEFT SIDE VIEW
N.T.S.



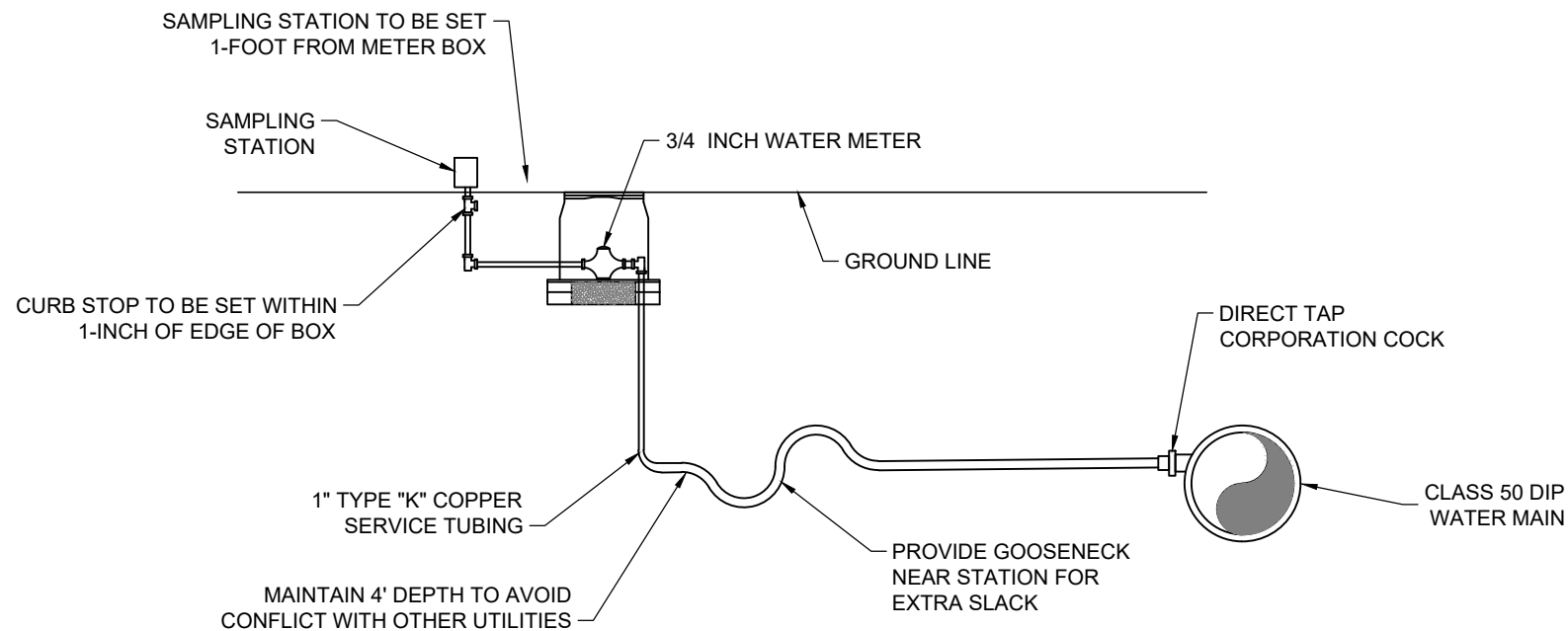
MAIN VALVE DETAIL
N.T.S.

NOTE:

1. CENTER OF FIRE HYDRANT AND CENTER OF SAMPLING STATION ARE TO BE SET 1.5- FEET FROM THE BACK OF CURB.



PLAN
N.T.S.



PROFILE
N.T.S.

FULTON COUNTY STANDARD DETAIL 826

WATER SAMPLING STATION

DATE	REVISIONS	DATE	REVISIONS
M/Y	XXX	M/Y	XXX

DGS/DRN/CHKD: XXX
APPROVED: XXX
DATE: XX-X-XX



FULTON COUNTY PUBLIC WORKS
141 PRYOR ST. ATLANTA, GA. 30303
404-612-7400 FAX: 404-224-0498

DRAWING NO.

826

95% SUBMITTAL