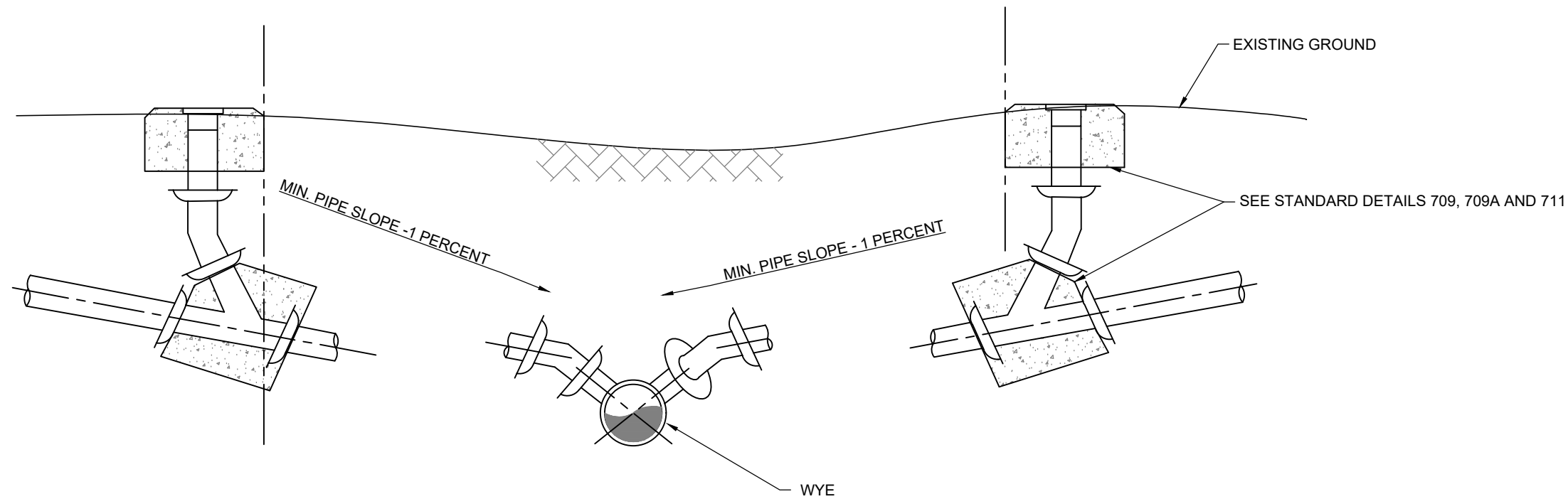


PLAN  
N.T.S.



ELEVATION  
N.T.S.

NOTES:

1. CONNECTIONS TO NEW SEWER SHALL BE WITH A WYE.
2. NO TEES WILL BE ALLOWED.
3. NO TEE OR WYE CONNECTIONS WILL BE ALLOWED ON EXISTING SEWERS LARGER THAN 12".
4. ALL CONNECTIONS TO EXISTING SEWERS SHALL BE MADE WITH A WYE.
5. WHERE SERVICE LINE CROSSES STATE HWY R/W, DI PIPE AND FITTINGS SHALL BE MJ JOINTS, HDPE PIPE AND FITTINGS SHALL BE PROVIDED WITH BELL/MJ ADAPTOR JOINED TO THE PLAIN END BY BUTT FUSION. TRENCHES SHALL BE BACKFILLED WITH CRUSHED STONE.
6. HDPE SERVICE LINE CROSSING STATE HWY R/W SHALL BE ENCASED IN STEEL CASING. REFER TO STANDARD DETAIL 107 FOR STEEL CASING REQUIREMENTS.
7. THE USE OF PVC IS ONLY ALLOWED IN LANSCAPE AREA.

FULTON COUNTY STANDARD DETAIL 707  
SERVICE CONNECTION ON NEW SEWERS

DATE	REVISIONS	DATE	REVISIONS
M/Y	XXX	M/Y	XXX

DGS/DRN/CHKD: XXX  
APPROVED: XXX  
DATE: XX-X-XX



FULTON COUNTY PUBLIC WORKS  
141 PRYOR ST. ATLANTA, GA. 30303  
404-612-7400 FAX: 404-224-0498

DRAWING NO.

707