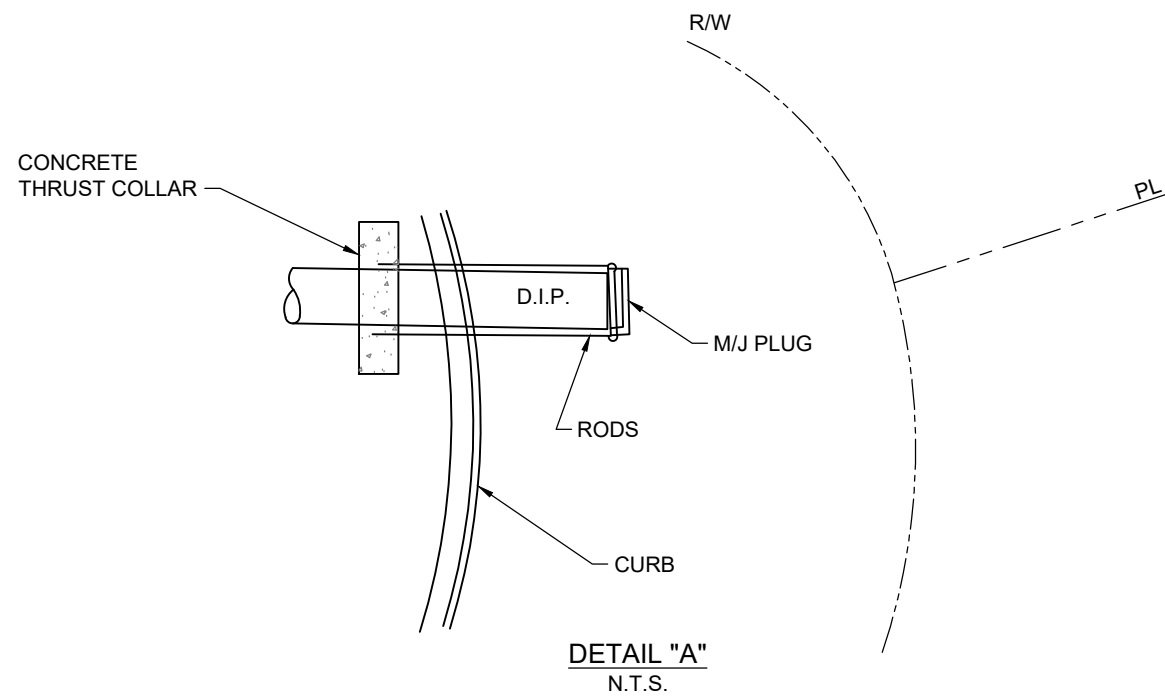


TYPICAL CUL-DE-SAC TERMINATION



FULTON COUNTY STANDARD DETAIL 614

NPRL TERMINATION CUL-DE-SAC

DATE	REVISIONS	DATE	REVISIONS
M/Y	XXX	M/Y	XXX

DGS/DRN/CHKD: XXX
 APPROVED: XXX
 DATE: XX-X-XX



FULTON COUNTY PUBLIC WORKS
 141 PRYOR ST. ATLANTA, GA. 30303
 404-612-7400 FAX: 404-224-0498

DRAWING NO.

614

95% SUBMITTAL