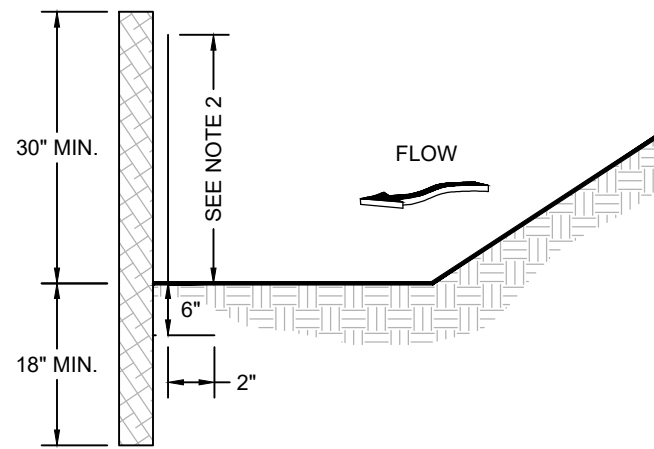
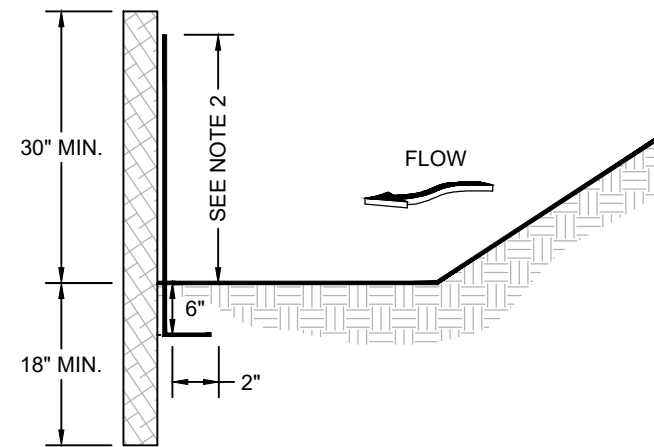


**NOTES:**

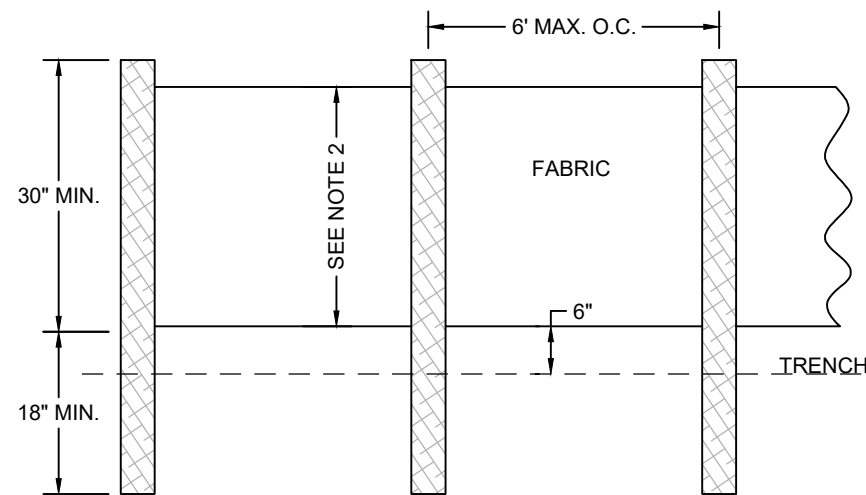
1. USE STEEL OR WOOD POSTS OR AS SPECIFIED BY THE EROSION, SEDIMENTATION, AND POLLUTION CONTROL PLAN.
2. HEIGHT OF SILT FENCE IS TO BE SHOWN ON THE EROSION, SEDIMENTATION, AND POLLUTION CONTROL PLAN.
3. THE FABRIC AND WIRE SHOULD BE SECURELY FASTENED TO POSTS AND FABRIC ENDS MUST BE OVERLAPPED A MINIMUM OF 18" OR WRAPPED TOGETHER AROUND A POST TO PROVIDE A CONTINUOUS FABRIC BARRIER AROUND THE INLET.



**SIDE VIEW**

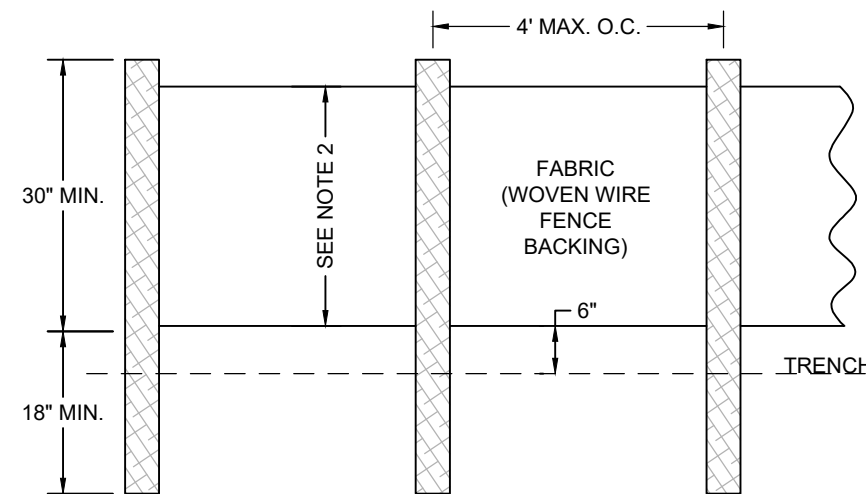


**SIDE VIEW**



**FRONT VIEW**

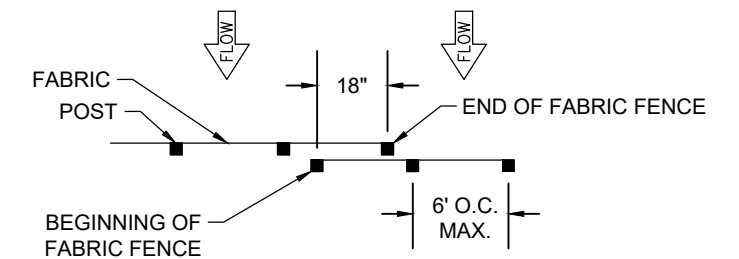
**SILT FENCE - TYPE NON-SENSITIVE**



**FRONT VIEW**

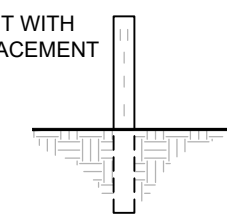
**SILT FENCE - TYPE SENSITIVE**

**OVERLAP AT FABRIC ENDS**

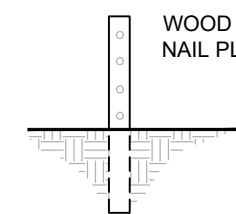


**TOP VIEW**  
N.T.S.

WOOD POST WITH STAPLE PLACEMENT



WOOD POST WITH NAIL PLACEMENT



**FRONT VIEWS**  
N.T.S.

FULTON COUNTY STANDARD DETAIL 404

TEMPORARY SILT FENCE

DATE	REVISIONS	DATE	REVISIONS
M/Y	XXX	M/Y	XXX

DGS/DRN/CHKD: XXX  
 APPROVED: XXX  
 DATE: XX-X-XX



FULTON COUNTY PUBLIC WORKS  
 141 PRYOR ST. ATLANTA, GA. 30303  
 404-612-7400 FAX: 404-224-0498

DRAWING NO.

**404**