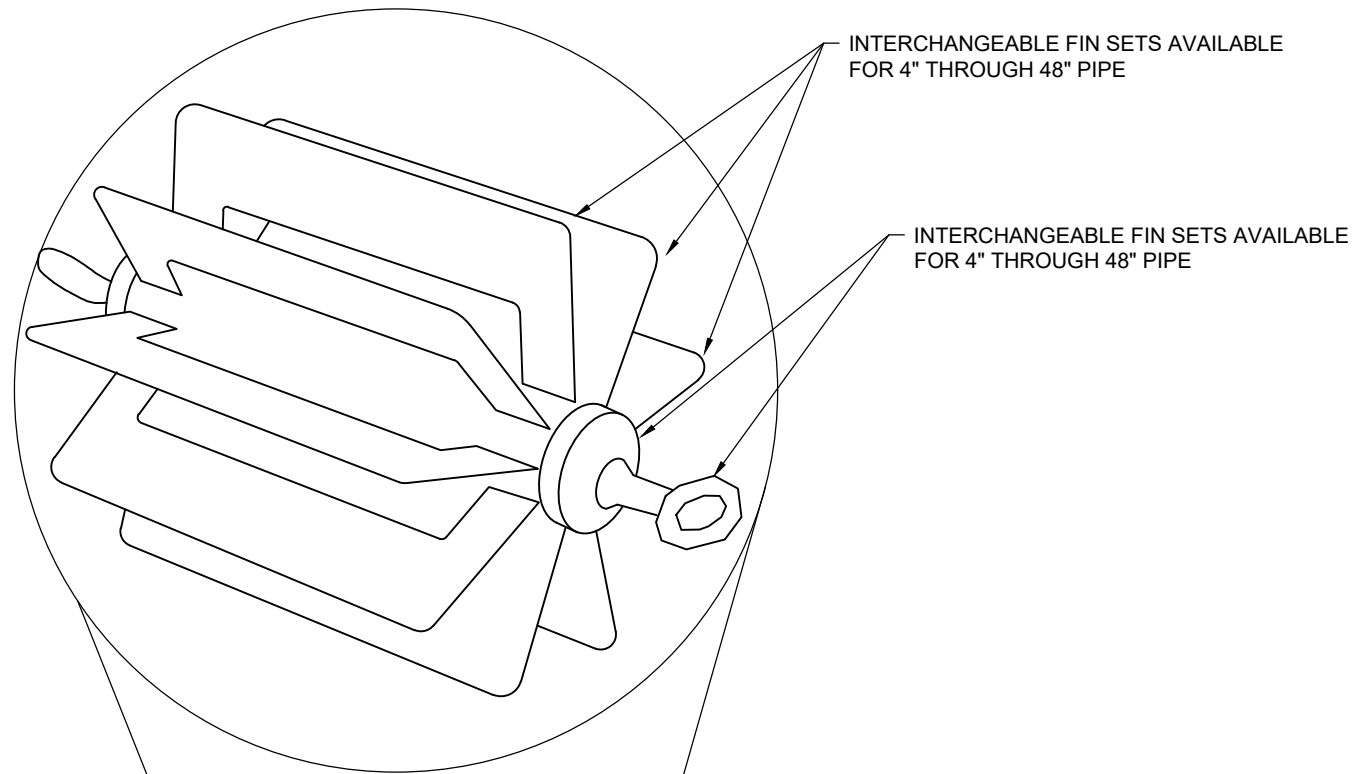


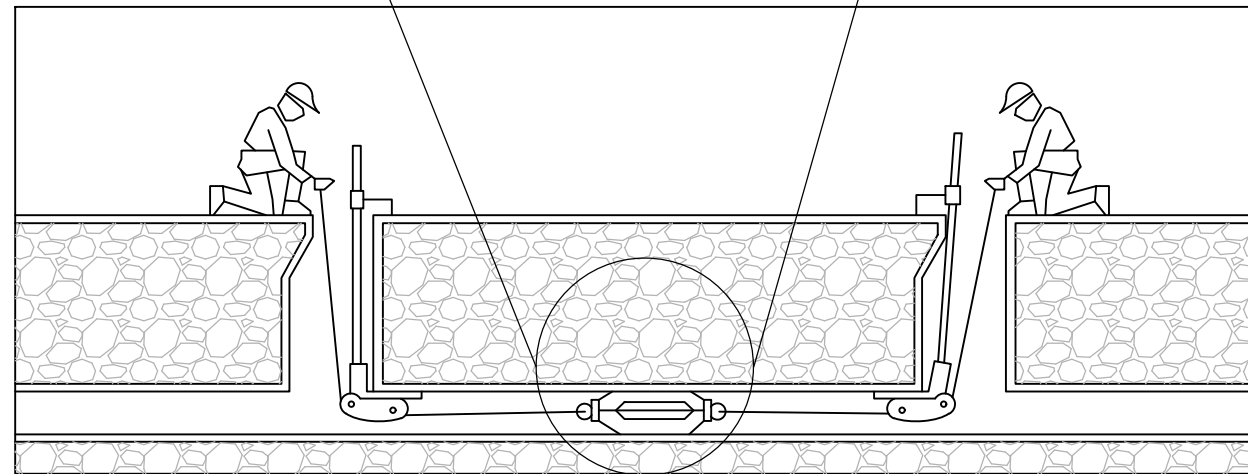
NOTES:

1. AFTER INSTALLATION, A DEFLECTION TEST IS REQUIRED NO SOONER THAN 24 HOURS OF TRENCH BACKFILLING. INITIAL DEFLECTION SHALL BE LIMITED TO 3% OF THE UN-DEFLECTED DIAMETER.
2. PIPE SHALL BE HDPE DR 17 (MIN.) WITH BUTT WELDED JOINTS OR PVC DR 25 (MIN.) WITH CONFINED ELASTOMERIC SEALED BELL & SPIGOT JOINTS. PIPE LENGTHS SHALL BE MANUFACTURER'S STANDARD.
3. MANDREL TO BE MADE FROM AIRCRAFT-QUALITY ALUMINUM OR APPROVED EQUAL.
4. EACH FIN SET IS TO BE STAMPED WITH THE PIPE DIAMETER AND PERCENT DEFLECTION.
5. MANDREL LENGTH TO BE 10 INCHES; MANDREL WEIGHT TO BE 4 LBS.
6. MANDREL TO BE PROVIDED BY CONTRACTOR IT MUST BE MEASURED AND APPROVED FIRST BY FULTON COUNTY INSPECTOR.
7. A SECOND DEFLECTION TEST MAY BE REQUIRED IF DETERMINED TO BE NECESSARY BY THE INSPECTOR.



**TABLE 105-1
BASE INSIDE DIAMETER AND 3%, 5%, AND 7.5% MANDREL DIMENSIONS**

NOMINAL SIZE (INCHES)	AVERAGE SIZE DIAMETER (INCHES)	BASE INSIDE DIAMETER (INCHES)	3% DEFLECTION	5% DEFLECTION	7.5 % DEFLECTION
6	5.893	5.742	5.569	5.454	5.31
8	7.891	7.665	7.435	7.281	7.09
10	9.864	9.563	9.276	9.084	8.84
12	11.737	11.361	11.020	10.792	10.51
15	14.374	13.898	13.481	13.023	12.86



FULTON COUNTY STANDARD DETAIL 106

MANDREL DETAIL FOR
PVC PIPE INSTALLATION

DATE	REVISIONS	DATE	REVISIONS
M/Y	XXX	M/Y	XXX

DGS/DRN/CHKD: XXX

APPROVED: XXX

DATE: XX-X-XX



FULTON COUNTY PUBLIC WORKS
141 PRYOR ST. ATLANTA, GA. 30303
404-612-7400 FAX: 404-224-0498

DRAWING NO.

106